

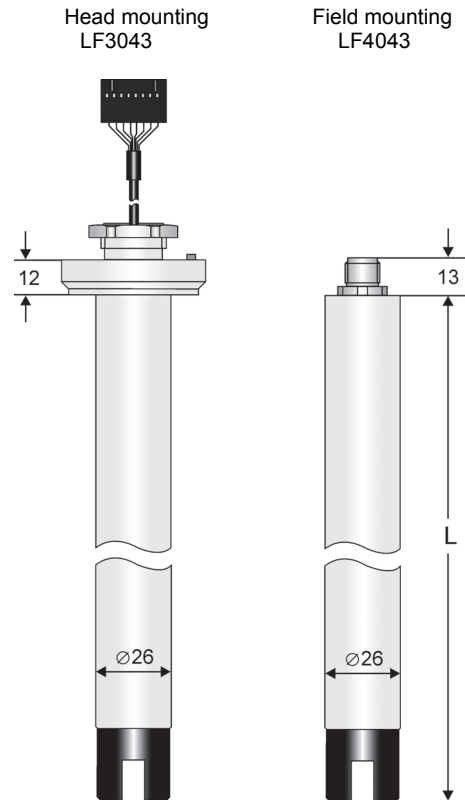
**Product Information**

**Analysis - Conductivity**

# Conductivity Cell LF3043 / LF4043



**Dimensions**



**Characteristics**

- 4-electrode immersion cell for wells and open systems
- Measuring range 0..20 µS/cm up to 0..500 mS/cm
- Insensitive against soiling
- No influence from polarization effects and line resistance

**Technical data**

Cell constant : C = 0.5 exact cell constant labeled on the type plate  
 Operating temperature : -20..60 °C  
 Process material : PA polyamide, casting resin, graphite (electrodes)  
*Electrical connection*  
 LF3043 : flat cable connector, only head mounting UNICON-LF  
 LF4043 : 8 pole round connector plug M12x1, IP67  
 -Material : brass nickel plated  
 Temperature measurement : integrated Pt1000 sensor DIN IEC751, class A

**Ordering code**

1. 2. 3.  
 LF  - C0.5 -  -

<b>1. Model</b>	
3043	head mounting UNICON-LF
4043	field mounting
<b>2. Process length (L) [mm]*</b>	
300	
500	
600	
800	
1000	
<b>3. Options</b>	
00	without option
03	8 pole round plug SS-type

\* custom length on request

Connection diagram see page Fehler: Referenz nicht gefunden

Additional accessories see page Fehler: Referenz nicht gefunden